

seppi m.

SPARE PARTS LIST

LISTINO RICAMBI / ERSATZTEILLISTE / LISTE DE PIÈCES DE RECHANGE / LISTADO DE REPUESTOS

KASTOR MECC*

Code	Description	Descrizione	Beschreibung	Description	Descripción
01-0034	Frame	telaio	Rahmen	Châssis	Chasis
02-0021	Rotor	rotore	Rotor	Rotor	Rotor
03-0031	Gearbox Comer 1000	moltiplicatore Comer 1000 rpm a ruola libera	Getriebe Comer 1000 rpm mit Freilauf	Boiter Comer 1000 rpm avec roue libre	Caja de cambio Comer 1000 rpm con rueda libre
03-0067	Transmission	trasmissione	Getrebe	Transmission	Transmisión
04-0023	Three-point-hitch	attacco a tre punti	Drei-Punkt Anba	Attelage trois-points	Connexión tres-puntos

Released 02/02/2011

Valid from:	
Valida da:	
Gültig ab:	2004
Valable à partir du:	
En vigor a partir del:	

LEGENDA

INFO	+	-	#
EN	and	to	or
ITA	e	a	o
DE	und	bis	oder
FR	et	à	ou
SP	y	hasta	o

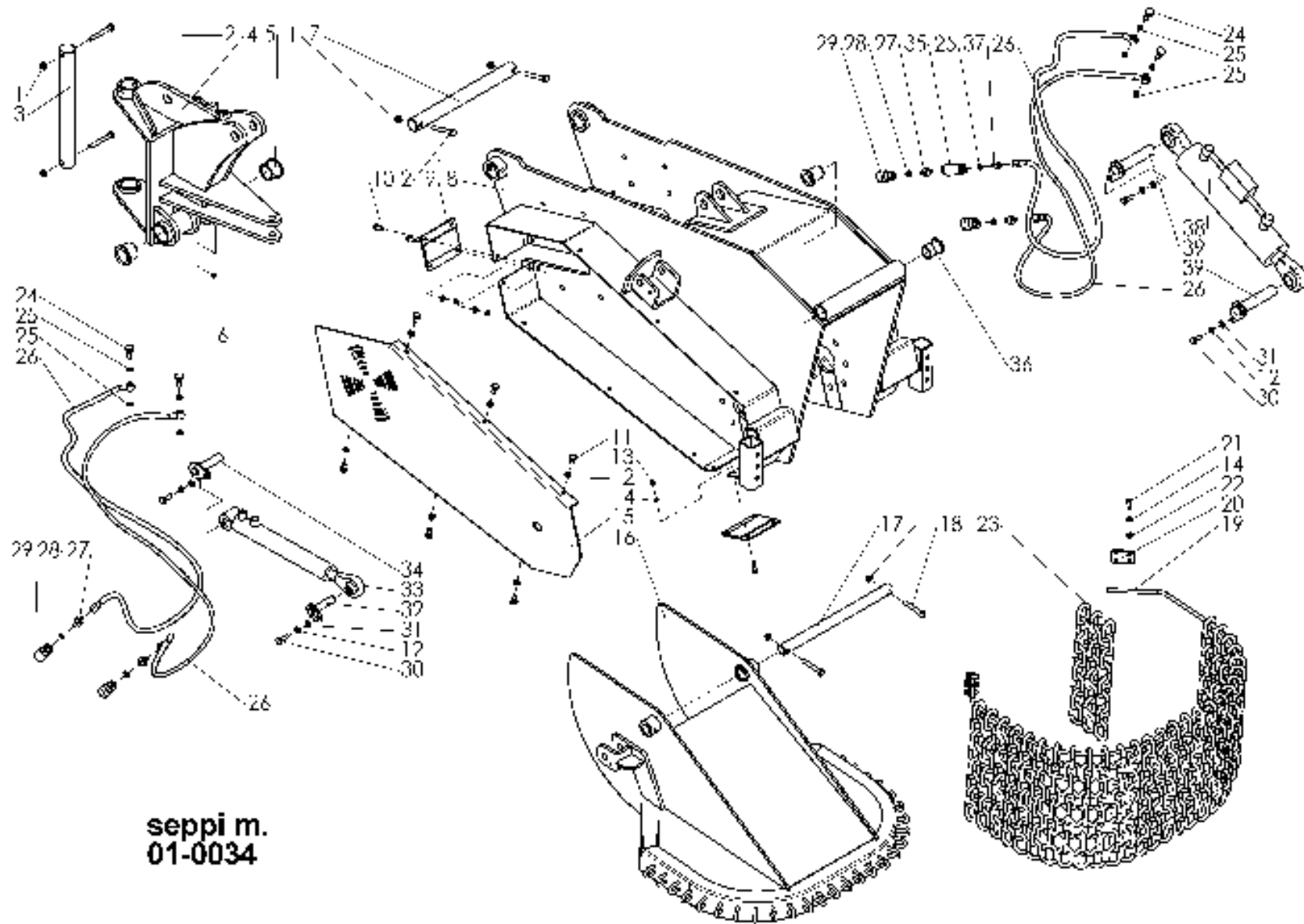
Frame

telaio

Rahmen

Châssis

Chasis



seppi m.
01-0034

Pos.	Code	Description	Descrizione	Beschreibung	Description	Descripción	Info
002	96609421	BOLT TE M 10X075 UNI 5737 8.8 ZN	VITE TE M10X 75 UNI 5737 8.8 ZN	SCHRAUBE TE M 10X075 UNI 5737 8,8 ZN	VIS TE M 10X075 UNI 5737 8.8 ZN	TORNILLO TE M10X 75 UNI 5737 8.8 ZN	
003	18401044	PIN D45 L=406 D11	PERNO D45 L=406 CON 2 FORI D11	BOLZEN D45 L=406	GAUJON D45 L=406 D11	PERNO D45 L=406 D11	
004	18401041	SUPP.X MOWER	SUPP X BRANDEGGIO MACCHINA KASTOR	HALTER F. MASCHINESCHWENKUNG	SUPP.X BROIEURS	SUPP.X TRITURAD.	
005	18401023	SELFLUBRICATING BUSHING 40X50X40	BOCCOLA IN BRONZO 40X50X40 (CPS 40F50)	BRONZEBUECHSE 40 X 50 X 40 (CPS 40F50)	DOUILLE AUTOLUBRIFIANT 40X50X40	CASQUILLO DE BRONCE 40X50X40	
006	97036711	GREASE NIPPLE UNI 7663 AM M8X1,25	INGRASS DIRITTO UNI 7663 AM 8X1,25	SCHMIERNIPPEL UNI 7663 AM M8X1,25	GRAISSEUR UNI 7663 AM M8X1,25	LUBRICADOR UNI 7663 AM 8X1,25	
007	18401044	PIN D45 L=406 D11	PERNO D45 L=406 CON 2 FORI D11	BOLZEN D45 L=406	GAUJON D45 L=406 D11	PERNO D45 L=406 D11	
008	18401033	FRAME KASTOR MODELLO-03 *	TELAIO CPL KASTOR MODELLO 03 *	KPL RAHMEN KASTOR '03	CHASSIS KASTOR MODELLO-03 *	CHASIS KASTOR MODELLO-03 *	
009	18410017	CPL CLOSING	CHIUSURA CORNICE CPL	RAHMENVERSCHLUSS KPL.	FERMETURE P.PROTECT.COURROIES CPL	CIERRE RANURA LATERAL	
011	96607521	BOLT TE M 10X020 UNI 5739 8.8 ZN	VITE TE M10X 20 UNI 5739 8.8 ZN	SCHRAUBE TE M 10X20 UNI 5739 8,8 ZN	VIS TE M 10X020 UNI 5739 8.8 ZN	TORNILLO TE M10X 20 UNI 5739 8.8 ZN	
012	97494931	WASHER ELSP ASA B- 27 - 10,2X18,1X2,2 ZN	ROSETTA ELSP ASA B-27-10,2X18,1X2,2 ZN	SCHWEIBE ELSP ASA B-27 - 10,2X18,1X2,2 ZN	RONDELLE ELS ASA B- 27 - 10,2X18,1X2,2 Z	ARANDELA ELSP ASA B-27-10,2X18,1X2,2 ZN	
013	97971721	LOW.SELFBLOCK.NUT M 8-6S UNI7474	DADO AUTOBLOC.BASSO M 8-6S UNI7474	SELBSTSICHER.MUTTER M 8-6S UNI7474 NIED.	ECROU AUTOSERR.M 8-6S UNI7474	TUERCA AUTO BLOQ. BAJA M 8-6S UNI7474	
014	97494831	WASHER ELSP ASA B- 27 - 08,2X14,8X2 ZN	ROSETTA ELSP ASA B-27-8,2X14,8X2 ZN	SCHWEIBE ELSP ASA B- 27 - 08,2X14,8X2 ZN	RONDELLE ELS ASA B- 27 - 08,2X14,8X2 ZN	ARANDELA ELSP ASA B-27-8,2X14,8X2 ZN	
015	18410011	COVER FOR BELT PROTECTION	COPERCHIO PROTEZIONE CINGHIE DX CPL-03	KPL. DECKEL F. KEILRIEMENSCHUTZ '03	COUVERCLE POUR PROT.COURROIE	CARTER PROT. CORREAS	
015	18410012	COVER FOR BELT PROTECTION	COPERCHIO PROTEZIONE CINGHIE SX CPL-03	DECKEL F. KEILRIEMENSCHUTZ LX '03	COUVERCLE POUR PROT.COURROIE	CARTER PROT. CORREAS	
017	18408008	PIN D30 L=438 D11	PERNO D30 L=438 CON 2 FORI D11	BOLZEN D30 L=438 LOCH D11	GAUJON D30 L=438 D11	PERNO D30 L=438 D11	
018	96601321	BOLT TE M 10X060 UNI 5739 8.8 ZN	VITE TE M10X 60 UNI 5739 8.8 ZN	SCHRAUBE TE M 10 X 60 UNI 5739 8,8 ZN	VIS TE M 10X060 UNI 5739 8.8 ZN	TORNILLO TE M10X 60 UNI 5739 8.8 ZN	
019	18410008	SUPPORT	FUNE DI ACCIAIO X PROTEZIONE A CATENE	STAHLDRAHTSEIL F. KETTENSCHUTZ	SUPPORT	SUPPORT	
020	18410009	FIXING PLATE	PIASTRINA FISSAGGIO FUNE ACCIAIO	BEFESTIGUNGSPLETTE F. STAHLDRAHTSEIL	PLAQUE FIX.	PLACA FIJ.	
021	96605621	BOLT TE M 08X025 UNI 5739 8.8 ZN	VITE TE M 8X 25 UNI 5739 8.8 ZN	SCHRAUBE TE M 8 X 25 UNI 5739 8,8 ZN	VIS TE M 08X025 UNI 5739 8.8 ZN	TORNILLO TE M 8X 25 UNI 5739 8.8 ZN	
022	97094911	SMOOTH WASHER UNI 6592 - 08,4X16X1,6 ZN	ROSETTA PIANA UNI 6592-08,4X16X1,6 ZN	GLATTE SCHEIBE UNI 6592 - 8,4X16X1,6 ZN	RONDELL.LISSE UNI 6592 - 08,4X16X1,6 ZN	ARANDELA PLANA UNI 6592-08,4X16X1,6 ZN	
023	19010027	CHAIN PROT. 17 CHAINS LINK 12	CATENA DI PROTEZIONE 17 MAGLIE FILO 12	SCHUTZKETTE 17-MASCHEN 12 MM	CHAINE DE PROT. 17 CHAIN.MAIL. 12	CADENA DE PROTECC. 17 ESLABONES HILO 12	
025	96508160	COPPER GASKET 14 X 18 (1/4")	GUARNIZIONE A SEZ.RETT.A14 X 18 (1/4")	KUPFERDICHTUNG 14 X 18 (1/4")	JOINT EN CUIVRE 14 X 18 (1/4")	JUNTA SECC. RECT. A14 X 18 (1/4")	
026	19412002	HOSE SAE 100R2ATDN1/4"X2200 O/FD	TUBO SAE R2ATDN 1/4"X 2200 FD -O	SCHLAUCH SAE 100R2ATDN1/4"X2200 O/FD	TUBE SAE 100R2ATDN1/4"X2200 O/FD	TUBO SAE R2ATDN 1/4"X 2200 FD -O	
026	48120193	HOSE SAE 100R2AT 1/4"X3000 O-FD	TUBO SAE R2ATDN 1/4"X 3000 FD -O	SCHLAUCH SAE 100R2AT 1/4"X3000 O-FD	TUBE SAE 100R2AT 1/4"X3000 O-FD	TUBO SAE R2ATDN 1/4"X 3000 FD -O	
027	19412009	OIL CAP 1/2"-1/4"	NIPPLO DI RIDUZIONE M-M 1/4"-1/2"	REDUZIERNIPPL 1/2"-1/4"	TUBULURE 1/2"-1/4"	EMPALME REDUCTOR M-M 1/4"-1/2"	
028	96508460	COPPER GASKET 21,5X27 (1/2")	GUARNIZIONE A SEZ.RETT.A21,5X 27 (1/2")	KUPFERDICHTUNG 21,5 X 27 (1/2")	JOINT EN CUIVRE 21,5X27 (1/2")	JUNTA SECC. RECT. A21,5X 27 (1/2")	
029	19412004	"FASTER" CLUTCH 1/2"M	INNESTO RAPIDO TIPO "FASTER" 1/2" M	SCHNELLKUPPLUNG "FASTER" 1/2"M	EMBRAYAGE RAPID "FASTER" 1/2"M	EMBRAGUE RAPIDO "FASTER" 1/2" MACHO	
030	96607521	BOLT TE M 10X020 UNI 5739 8.8 ZN	VITE TE M10X 20 UNI 5739 8.8 ZN	SCHRAUBE TE M 10X20 UNI 5739 8,8 ZN	VIS TE M 10X020 UNI 5739 8.8 ZN	TORNILLO TE M10X 20 UNI 5739 8.8 ZN	
031	97095111	SMOOTH WASHER UNI 6592 - 10,5X21X2,0 ZN	ROSETTA PIANA UNI 6592-10,5X21X2,0 ZN	GLATTE SCHEIBE UNI 6592 - 10,5X21X2 ZN	RONDELL.LISSE UNI 6592 - 10,5X21X2,0 ZN	ARANDELA PLANA UNI 6592-10,5X21X2,0 ZN	

Pos.	Code	Description	Descrizione	Beschreibung	Description	Descripción	Info
032	17908029	PIN WITH PLATE D 19X 80 INT=28	PERNO CON GOCCIA D19X 90 INT=28	BOLZEN M.PLATTE D 19X 80 INT=28	GOUJON A.PLAQUE D 19X 80 INT=28	PERNO CON PLACA D 19X 90 INT=28	
033	12012001	HYDRAULIC CYLINDER 40X25X270	CILINDRO HYD 40 X 25 X 270 (495 - 765)	HYDR. ZYLINDER 40 X 25 X 270(495-765)	CYLINDER HYDRAULIQUE 40X25X270	CILINDRO HIDR. 40 X 25 X 270 (495 - 765)	
034	17908010	PIN WITH PLATE D 22X 95 INT=45	PERNO CON GOCCIA D22X 95 INT=45	BOLZEN M.PLATTE D 22X 95 INT=45	GOUJON A.PLAQUE D 22X 95 INT=45	PERNO CON PLACA D 22X 95 INT=45	
035	11412006	BLOCK.VALVE	VALVOLA STROZZATRICE BIDIREZIONALE 1/4"	DROSSELVENTIL BIDIREKTIONAL 1/4"	VALVE DE BLOC	VALVULA OBTURACION BIDIRECCIONAL 1/4"	
036	13004037	NYLON SPLINED BUSHING 30 X 38 X 50	BOCCOLA 30 X 38 X 49 NYLON GRAFFITTATO	GERILLTE PLASTIKBUECHSE 30 X 38 X 50	DOUILLE CANALE EN NYLON 30 X 38 X 50	CASQUILLO NYLON 30 X 38 X 50	
037	48120022	COUPLING M 1/4	NIPPLO M-M 1/4	NIPPL M-M 1/4"	JOINT M 1/4	EMPALME M 1/4	
038	19012016	HYDR. CYL. 80X40X250 +VALV.OVERCENTER	CILINDRO HYD 80X40X250 (550-800) + VAL	HYDR. ZYL. 80 X 40 X 250 + STOPVENTIL	CYL.HYDR. 80X40X250 +VALV.OVERCENTER	CILINDRO HIDR. 80X40X250 (550-800) + VAL	
039	19004034	PIN WITH PLATE D 30X130 INT=45	PERNO CON GOCCIA D30X135 INT=45	BOLZEN M.PLATTE D 30X130 INT=45	GOUJON A.PLAQUE D 30X130 INT=45	PERNO CON PLACA D 30X135 INT=45	

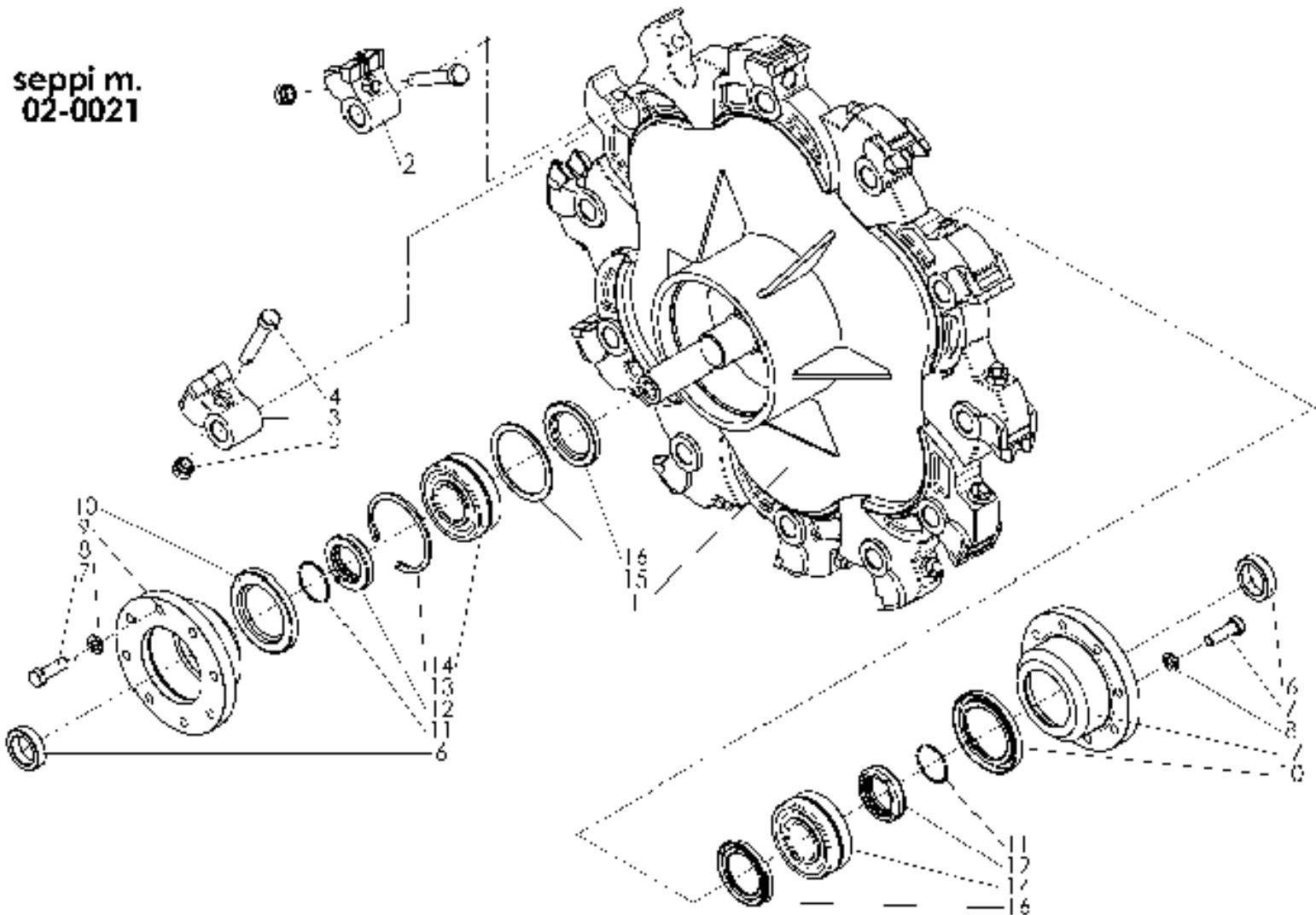
Rotor

rotore

Rotor

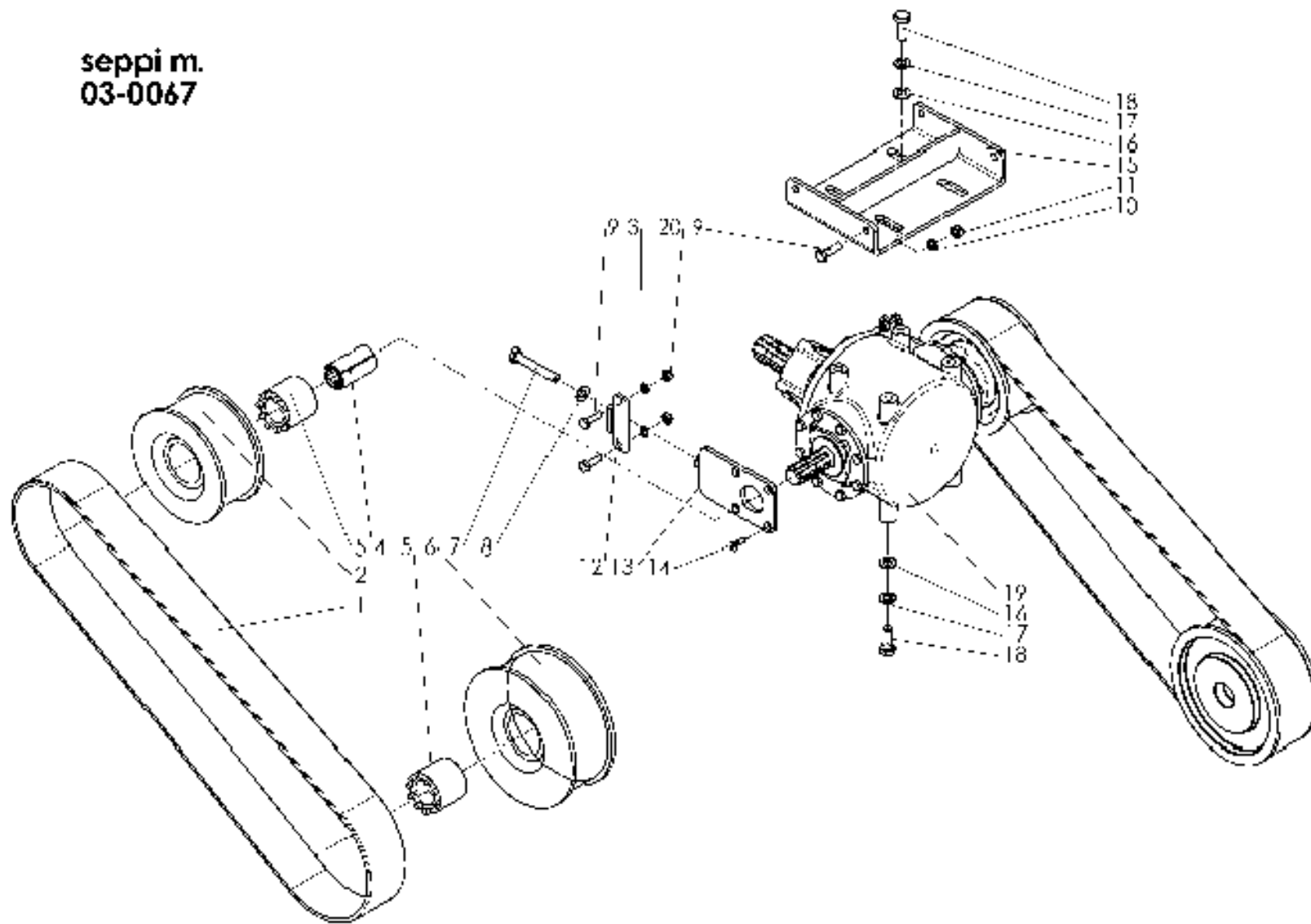
Rotor

Rotor



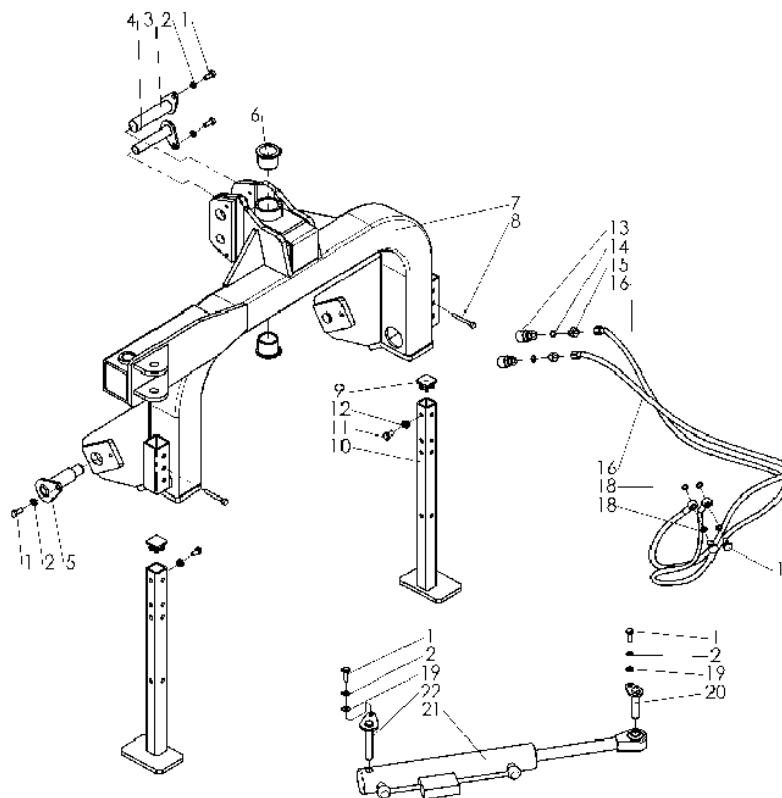
Pos.	Code	Description	Descrizione	Beschreibung	Description	Descripción	Info
001	18402002	ROTOR CPL KASTOR MECC.	ROTORE CPL KASTOR MECC.	KPL ROTORE KASTOR MECH.	ROTOR CPL KASTOR MECC.	ROTOR CPL KASTOR MECC.	
002	18202040	HAMMER WITH 2+1 TIPS	MARTELLO SEDE ESAG. 2+1 PLACCH. RIALZATO	SCHLAEGEL MIT 2+1 PLAKETTEN ERHOEHT	MARTEAU AVEC 2+1 PLAQUETTES	MART. ORIF. HEXAG. 2+1 PLACAS REALZADO	
002	18702101	HAMMER WITH HEXAGONAL SEAT AND 2+1 BITS	MARTELLO SEDE ESAG. 2+1 PLACCH.	SCHLAEGEL MIT 2+1 PLAKETTEN	MART.AVEC SIEGE HEXAG.ET 2+1 PLAQUETTES	MARTILLO ORIFICIO HEXAG. CON 2+1 PLACAS	
003	18702070	HAMMER WITH HOLE- 3 PLAC. MIDI-F/FORST	MARTELLO SEDE ES.3 PLACCH.PIANE X KASTOR	SCHLAEGEL MIT 3 PLAKETTEN FLACH F.KASTOR	MARTEAU AVEC TROU- 3 PLAC. MIDI-F/FORST	MARTILLO CON 3 PLACAS PLANAS P/KASTOR	
004	18702093	SPECIAL BOLT M 18X1,5X100 12.9 BLACK	VITE SPECIALE M18X1,5X100 12.9 LAVORATA	SPEZIALSCHRAUBE M 18 X 1,5 X 100 12,9	VIS SPECIAL M 18X1,5X100 12.9 NOIRE	TORNILLO ESPECIAL M18X1,5X100 12.9 NEGRO	
005	18702094	SPECIAL NUT M 18X1,5 DIN98 CLASS 10	DADO SPECIALE M18X1,5 DIN98 CLASSE 10.9	SPEZIALMUTTER M 18X1,5 DIN98 KLASSE 10	ECROU SPEC.M 18X1,5 DIN98 CLASSE 10	TUERCA ESPECIAL M 18X1,5 DIN98 CLASE 10	
006	18402013	BUSHING 45 X 63,5 X 16	BOCCOLA 45 X 63,5 X 16	BUECHSE 45 X 63,5 X 16	ROND D=51 L=150	CASQUILLO 45 X 63,5 X 16	
007	96634533	BOLT TE M 16X040 UNI 573910.9 BLACK	VITE TE M16X 40 UNI 5739 10.9 NERA	SCHRAUBE TE M 16 X 40 UNI 5739 10,9 SCHW	VIS TE M 16X040 UNI 573910.9 NOIRE	TORNILLO TE M16X 40 UNI 5739 10.9 NEGRO	
008	97495231	WASHER ELSP ASA B- 27 - 16,2X27,4X3,5 ZN	ROSETTA ELSP ASA B-27- 16,2X27,4X3,5 ZN	SCHEIBE ELSP ASA B-27 - 16,2X27,4X3,5 ZN	RONDELLE ELS ASA B- 27 - 16,2X27,4X3,5 Z	ARANDELA ELSP ASA B-27- 16,2X27,4X3,5 ZN	
009	19702054	SUPPORT BEARING FOR ROTOR W.PIPE DIA.120	SUPP.CUSC.ROTORE CON GOLA DIA.120	LAGERHALTER F. ROTOR MIT RILLE DM 120	SUPPORT ROULEMENT P.ROTOR A.TUBE DIA 120	SOPORTE COJINETE ROTOR CON BOCA DIA.120	
010	19702060	OIL SEAL 80 X120 X13	ANELLO DI TENUTA 80 X120 X13	DICHTUNGSRING 80 X120 X13	BAGUE ETACH. 80 X120 X13	RETEN 80 X120 X13	
011	97284280	OIL SEAL OR 139/3218 55,25X2,62	ANELLO O-RING OR 139/3218 55,25X2,62	O-DICHTUNGSRING 139/3218 55,25 X 2,62	BAGUE ETACH. OR 139/3218 55,25X2,62	RETEN 139/3218 55,25X2,62	
012	19702056	SPACER SHORT HUB SIDE L= 18	DISTANZIALE LATO MOZZO CORTO L=18	DISTANZBUECHSE SEITE KURZE NABE L=18	ENTRET.COTE DU MOYEU COURT L= 18	RETEN LADO CUBO CORTO L= 18	
013	96876276	EL.RING F.HOLES 120X4	ANELLO EL. PER FORI 120X4	SEEGERRING F.LOECHER 120X4	BAGUE ARRET P.TROUS 120X4	RETEN EL.P.ORIFIC. 120X4	
014	19702059	BEARING 22311 E 55X120X43 OR.RULLI	CUSCINETTO 22311 E 55X120X43 OR.RULLI	VERST. ROLLENLAGER 22311 E 55X120X43	ROULEMENT 22311 E 55X120X43 OR.RULLI	RODAMIENTO 22311 E 55X120X43 RODILLOS	

seppi m.
03-0067



Pos.	Code	Description	Descrizione	Beschreibung	Description	Descripción	Info
001	18303038	BELT HTD 2100-14M-85	CINGHIA DENTATA HTD 2100-14M-85	ZAHNRIEMEN HTD 2100-14M-85	COURR. CX HTD 2100-14M-85	CORREA DENTADA HTD 2100-14M-85	
002	18403019	PULLEY DENTATA D=211 X D=75	PULEGGIA DENTATA D=211 X D=75 TORNITA	GEZ. KEILRIEMENSCH. DM 211 X DM 75 GEDR.	POULIE DENTATA D=211 X D=75	POLEA DENTATA D=211 X D=75	
003	97494931	WASHER ELSP ASA B- 27 - 10,2X18,1X2,2 ZN	ROSETTA ELSP ASA B-27-10,2X18,1X2,2 ZN	SCHEIBE ELSP ASA B-27 - 10,2X18,1X2,2 ZN	RONDELLE ELS ASA B- 27 - 10,2X18,1X2,2 Z	ARANDELA ELSP ASA B-27-10,2X18,1X2,2 ZN	
006	18403020	PULLEY DENTATA D=256 X D=45	PULEGGIA DENTATA D=256 X D=45 TORNITA	GEZ. KEILRIEMENSCH. DM 256 X DM 45 GEDR.	POULIE DENTATA D=256 X D=45	POLEA DENTATA D=256 X D=45	
007	96613221	BOLT TE M 14X090 UNI 5737 8.8 ZN	VITE TE M14X 90 UNI 5737 8.8 ZN	SCHRAUBE TE M 14 X 90 UNI 5737 8,8 ZN	VIS TE M 14X090 UNI 5737 8.8 ZN	TORNILLO TE M14X 90 UNI 5737 8.8 ZN	
009	96607821	BOLT TE M 10X035 UNI 5739 8.8 ZN	VITE TE M10X 35 UNI 5739 8.8 ZN	SCHRAUBE TE M 10 X 35 UNI 5739 8,8 ZN	VIS TE M 10X035 UNI 5739 8.8 ZN	TORNILLO TE M10X 35 UNI 5739 8.8 ZN	
009	96610121	BOLT TE M 12X040 UNI 5739 8.8 ZN	VITE TE M12X 40 UNI 5739 8.8 ZN	SCHRAUBE TE M 12 X 40 UNI 5739 8,8 ZN	VIS TE M 12X040 UNI 5739 8.8 ZN	TORNILLO TE M12X 40 UNI 5739 8.8 ZN	
010	97495034	WASHER ELSP ASA B- 27 - 12,2X21,2X2,5 N	ROSETTA ELSP ASA B-27-12,2X21,2X2,5 N	SCHEIBE ELSP ASA B- 27 - 12,2X21,2X2,5 N	RONDELLE ELS ASA B- 27 - 12,2X21,2X2,5 N	ARANDELA ELSP ASA B-27-12,2X21,2X2,5 N	
011	97971821	LOW.SELFBLOCK.NUT M 10-6S UNI7474	DADO AUTOBLOC.BASSO M10-6S UNI7474	SELBSTSICHER.MUTTER M10-6S UNI7474 NIED.	ECROU AUTOSERR.M 10-6S UNI7474	TUERCA AUTO BLOQ. BAJA M 10-6S UNI7474	
012	18403003	PLATE	PIASTRA CPL ATT. TIROCIINGHIA SU TELAIO	PLATTE F. RIEMENSPELLNER	PLAQUE	PLACA	
014	97344327	BOLT TSEI M 8X 20 UNI 5933 8.8 NERA	VITE TSEI M 8X 20 UNI 5933 10.9 NERA	SCHRAUBE TSEI M 8 X 20 UNI 5933 8,8 SCHW	VIS TSEI M 8X 20 UNI 5933 8.8 NERA	TORNILLO TSEI M 8X 20 UNI 5933 8.8 NERA	
016	97095711	SMOOTH WASHER UNI 6592 - 16X30X3,0 ZN	ROSETTA PIANA UNI 6592-16,0X30X3,0 ZN	GLATTE SCHEIBE UNI 6592 - 16X30X3 ZN	RONDELL.LISSE UNI 6592 - 16X30X3,0 ZN	ARANDELA PLANA UNI 6592-16,0X30X3,0 ZN	
018	96614521	BOLT TE M 16X035 UNI 5739 8.8 ZN	VITE TE M16X 35 UNI 5739 8.8 ZN	SCHRAUBE TE M 16 X 35 UNI 5739 8,8 ZN	VIS TE M 16X035 UNI 5739 8.8 ZN	TORNILLO TE M16X 35 UNI 5739 8.8 ZN	
020	97971821	LOW.SELFBLOCK.NUT M 10-6S UNI7474	DADO AUTOBLOC.BASSO M10-6S UNI7474	SELBSTSICHER.MUTTER M10-6S UNI7474 NIED.	ECROU AUTOSERR.M 10-6S UNI7474	TUERCA AUTO BLOQ. BAJA M 10-6S UNI7474	

seppi m.
04-0023



Pos.	Code	Description	Descrizione	Beschreibung	Description	Descripción	Info
001	96607521	BOLT TE M 10X020 UNI 5739 8.8 ZN	VITE TE M10X 20 UNI 5739 8.8 ZN	SCHRAUBE TE M 10X20 UNI 5739 8,8 ZN	VIS TE M 10X020 UNI 5739 8.8 ZN	TORNILLO TE M10X 20 UNI 5739 8.8 ZN	
005	19004040	3.CAT.PIN 1° E 2° POINT	PERNO III CAT. 1 E 2 PUNTO	III. KAT.BOLZEN F. UNTERLENKER	GOUJON 3.CAT. 1° E 2° POINT	PERNO 3.CAT. 1° E 2° PUNTOS	
014	96508460	COPPER GASKET 21,5X27 (1/2")	GUARNIZIONE A SEZ.RETT.A21,5X 27 (1/2")	KUPFERDICHTUNG 21,5 X 27 (1/2")	JOINT EN CUIVRE 21,5X27 (1/2")	JUNTA SECC. RECT. A21,5X 27 (1/2")	
015	19412009	OIL CAP 1/2"-1/4"	NIPPLO DI RIDUZIONE M-M 1/4"-1/2"	REDUZIERNIPPL 1/2"-1/4"	TUBULURE 1/2"-1/4"	EMPALME REDUCTOR M-M 1/4"-1/2"	
016	48120193	HOSE SAE 100R2AT 1/4"X3000 O-FD	TUBO SAE R2ATDN 1/4"X 3000 FD -O	SCHLAUCH SAE 100R2AT 1/4"X3000 O-FD	TUBE SAE 100R2AT 1/4"X3000 O-FD	TUBO SAE R2ATDN 1/4"X 3000 FD -O	
017	19412007	BOLT FOR COUPLING 1/4"	VITE X RACCORDO AD OCCHIO 1/4"	SCHRAUBE F. ANSCHLUSSSTUECK 1/4"	VIS POUR JOINT 1/4"	TORNILLO X EMPALME A OJO 1/4"	
020	17908029	PIN WITH PLATE D 19X 80 INT=28	PERNO CON GOCCIA D19X 90 INT=28	BOLZEN M.PLATTE D 19X 80 INT=28	GOUJON A.PLAQUE D 19X 80 INT=28	PERNO CON PLACA D 19X 90 INT=28	